

**Code Subsidiary Document
No. 0208:**

**Creation and update of
Wholesaler Tariff Data**

September 2015

Table of Contents

1.	Introduction.....	4
1.1	Purpose	4
1.2	Scope	4
2.	Annual update of Wholesaler Tariff Data	5
2.1	Publication of the timetable	5
2.2	Update of existing Tariffs	6
2.3	Creation of new Tariffs.....	7
2.4	Update Tariff Standing Data.....	8
2.5	Tariff verification and authorisation	8
2.6	Ad hoc changes to Tariffs	10
3.	Interface and timetable requirements.....	12
4.	Process diagrams.....	14
A.	Appendix: Illustrative Wholesaler Tariff Data	16

Definitions

Unless expressly stated otherwise, for the purposes of this CSD:

- (a) terms defined in the Wholesale-Retail Code Part 1 (Objectives, Principles and Definitions) shall apply; and
- (b) capitalised terms relating to the titles of Data Items or Data Transactions described in CSD 0301 (Data Catalogue) shall have the meaning attributed therein.

For the purposes of this CSD only, the following capitalised terms shall have the following meaning:

Definitions	
Term	Definition
“Active Tariff”	has the meaning given in Section 2.2.4 of this CSD;
“Alternative Tariff Year”	has the meaning given in Section 2.1.3 of this CSD;
“Authorisation Date	the date defined in Section 2.1.2 of this CSD;
“Final Update Date”	the date defined in Section 2.1.2 of this CSD;
“Initial Update Date”	the date defined in Section 2.1.2 of this CSD;
“Legacy Date”	the date from which a Tariff becomes a Legacy Tariff;
“Legacy Tariff”	means a Tariff to which it is not permitted to assign a Service Component;
“New Tariff”	means a Tariff which is in the process of being created and has never been verified and authorised;
“Retired Tariff”	means a Tariff which is a Legacy Tariff and which is not used by any Supply Points;
“Seasonal Tariff”	has the meaning given in Section 2.2.8 of this CSD; and
“Tariff Timetable”	has the meaning given in Section 2.1.1 of this CSD.

1. Introduction

1.1 Purpose

- 1.1.1 This CSD 0208 (Creation and update of Wholesaler Tariff Data) sets out the processes for the creation and update of Wholesaler Tariff Data by Wholesalers each Year in accordance with their Wholesale Tariff Document. It also sets out processes for ad-hoc updates to Wholesaler Tariff Data.
- 1.1.2 Wholesaler Tariff Data will be stored within the Central Systems as individual Tariffs and Tariff Standing Data. The individual Tariffs are applied to individual Service Components (and in the case of Trade Effluent, individual Trade Effluent Discharge Points) in accordance with the Tariff which has been set for that Service Component (or Discharge Point) for the Supply Point. Tariff Standing Data is applied as values which are applicable to all Tariffs and to all the Wholesaler's Supply Points.

1.2 Scope

- 1.2.1 This CSD 0208 only describes the processes where the creation and update of Wholesaler Tariff Data does not require a change to the Service Components or Charging Elements which are supported by the Central Systems, but only requires changes to the values of existing Tariffs or the introduction of new Tariffs which are already supported by the Central Systems. If a Wholesaler wishes to change its Wholesaler Tariff Data by providing for a modified or new charging method or Charging Element it may do so by making a Charging Change Proposal in accordance with the Market Arrangements Code.
- 1.2.2 This CSD 0208 should be read in conjunction with CSD 0404 (Interface for the provision of non-transactional Data Items from Trading Parties), which describes the interface to the Central Systems by which Wholesalers may create, update, verify and authorise Wholesaler Tariff Data.

2. Annual update of Wholesaler Tariff Data

2.1 Publication of the timetable

2.1.1 On or before the 1st December each Year, the Market Operator shall publish a timetable (the “Tariff Timetable”) for the annual process for the creation and update of Wholesaler Tariff Data for the next Year. The Tariff Timetable shall take account of:

- (a) any timescales imposed by a Relevant Authority on the Wholesalers to publish their Wholesale Tariff Document for the next Year;
- (b) the reasonable time needed for Wholesalers to create, update, verify and authorise their Wholesaler Tariff Data in accordance with their Wholesale Tariff Document;
- (c) the requirement on the Market Operator to carry out the first P1 Settlement Run of the next Year (i.e. the April P1 Settlement Run), then to provide the Settlement Reports in respect of the same, sixteen (16) Business Days prior to the start of April;
- (d) the requirement for the April P1 Settlement Run to make use of the Wholesaler Tariff Data applicable for the next Year; and
- (e) the need for the Wholesaler Tariff Data to be visible to all Trading Parties before the April P1 Settlement Run.

2.1.2 The Tariff Timetable shall specify:

- (a) the first date (the “Initial Update Date”) on which Wholesaler Tariff Data may be updated;
- (b) the date (the “Final Update Date”) by which every Wholesaler shall create, update and verify their Wholesaler Tariff Data; and
- (c) the date (the “Authorisation Date”) being at least two (2) Business Days after the Final Update Date, by which the Wholesaler’s Contract Manager shall confirm to the Market Operator that all the Wholesaler Tariff Data has been created, updated and verified and in doing so shall authorise the use of the revised Wholesaler Tariff Data.

- 2.1.3 If, exceptionally, a Wholesaler's Tariff year starts on a date other than 1st April (an "Alternative Tariff Year"), then the Wholesaler shall still create, update, verify and authorise their Wholesaler Tariff Data in accordance with the Tariff Timetable. Only Settlement Runs for that Wholesaler's Alternative Tariff Year shall make use of the new Wholesaler Tariff Data.

2.2 Update of existing Tariffs

Illustrative Examples of Tariff Data

- 2.2.1 Appendix A contains some illustrative examples of Wholesaler Tariff Data for each type of Service Component and of Tariff Standing Data.

Interface to the Central Systems

- 2.2.2 All Data Items and notifications submitted to the Central Systems by each Wholesaler, for the creation, update, verification and authorisation of Wholesaler Tariff Data pursuant to this CSD 0208 shall be treated as non-transactional Data Items. Each Wholesaler shall use the interface specified in CSD 0404 (Interface for the provision of non-transactional Data Items from Trading Parties) to create, update, verify and authorise the Wholesaler Tariff Data.

Marking a Tariff as a Legacy Tariff or a Retired Tariff

- 2.2.3 While updating Wholesaler Tariff Data, a Wholesaler may mark a Tariff as a "Legacy Tariff" with an effective "Legacy Date" which shall be no earlier than the start of the next Tariff year, or, as applicable, the next Alternative Tariff Year. After a Tariff has been marked as a Legacy Tariff, it will no longer be permissible to allocate such a Tariff to a Supply Point Service Component or Discharge Point such that the Effective From Date of the Tariff for that Service Component or Discharge Point is on, or after, the Legacy Date.
- 2.2.4 Every Business Day the Market Operator shall mark any Legacy Tariff as a "Retired Tariff": (i) when the Legacy Tariff is no longer associated with a Supply Point's Service Component, and (ii) for which the Legacy Date is on or before the date on which the report is being generated.
- 2.2.5 A Tariff which is neither a New Tariff, a Legacy Tariff nor a Retired Tariff shall be deemed to be an "Active Tariff".

- 2.2.6 It shall be permissible for a Wholesaler to mark a Legacy Tariff as an Active Tariff, but it shall not be permissible to change the status of a Retired Tariff.

Update of Wholesaler Tariff Data

- 2.2.7 Between the Initial Update Date and Final Update Date (inclusive), the Wholesaler shall update existing Tariffs, for all of its Wholesaler Tariff Data. It shall not be permissible, or possible, to update Wholesaler Tariff Data outside these dates, except in accordance with Section 2.6 of this CSD.
- 2.2.8 Each Wholesaler shall update the Wholesaler Tariff Data for every Active Tariff and every Legacy Tariff in accordance with its Wholesale Tariff Document. The update shall include all the values which are required for the Tariff for that type of Service Component as detailed in CSD 0301 (Data Catalogue). The update shall have an Effective From Date of the 1st April for the next Year. Exceptionally, where the Wholesaler has an Alternative Tariff Year, the update shall have an Effective From Date of the start of that Alternative Tariff Year.
- 2.2.9 It shall not be possible for a Wholesaler to update any Wholesaler Tariff Data which has an Effective From Date which is before the 1st April of the next Year.
- 2.2.10 A Tariff is said to be a “Seasonal Tariff” when any of the Tariff values for any Month of the Year are different from the corresponding Tariff values for another Month of the same Tariff year (or as applicable Alternative Tariff Year). In respect of every Seasonal Tariff, the Wholesaler shall create, verify and authorise a complete set of values for that Tariff with effect from the first day of each Month, for every Month for which any of the Tariff values is different from the corresponding value for the previous Month. For the avoidance of doubt, Tariff values shall be constant across each Month.

2.3 Creation of new Tariffs

- 2.3.1 Whenever a Wholesaler introduces a new Tariff in its Wholesale Tariff Document which is consistent with the charging methodologies already supported by the Central Systems and is applicable for the next Year (or, as applicable, the next Alternative Tariff Year), the Wholesaler shall create a corresponding Tariff for the Service Component in the Central Systems. The new Tariff shall have an Effective From Date of the 1st April for the next Year (or, as applicable, the start of the next

Alternative Tariff Year). It shall not be permissible to allocate such a Tariff to any Service Component such that the Tariff is effective for that Service Component before the 1st April of the next Year (or, as applicable, the start of the next Alternative Tariff Year).

2.3.2 The new Tariff shall be created within the Central Systems with default null values. The Wholesaler shall then update the new Tariff in accordance with Section 2.2 of this CSD.

2.3.3 The new Tariff shall be a New Tariff. The Market Operator will mark the New Tariff as being an Active Tariff once the Wholesaler has, in accordance with section 2.5 below, both verified the New Tariff and authorised the use of the Wholesaler Tariff Data.

2.4 Update Tariff Standing Data

2.4.1 The Wholesaler shall update all of its Tariff Standing Data as it is set out in CSD 0301 (Data Catalogue). The Tariff Standing Data is applicable across all of the Wholesaler's Tariffs.

2.5 Tariff verification and authorisation

Tariff verification

2.5.1 The Wholesaler shall use the Reports produced in accordance with CSD 0302 (Standing Reports and Data Extracts) to allow it to confirm which of its Tariffs in the Central Systems are either Active Tariffs or Legacy Tariffs.

2.5.2 Then, independently of the process of the creation and update of the Wholesaler Tariff Data, the Wholesaler shall verify using the interface described in CSD 0404 (Interface for the provision of non-transactional Data Items from Trading Parties) that every Active Tariff and every Legacy Tariff has been updated, that every new Tariff has been created, the Tariff Standing Data has been updated and that the Wholesaler Tariff Data is complete and consistent with the Wholesale Tariff Document. The Wholesaler shall then mark the updated Tariffs or Tariff Standing Data, as applicable, as verified.

2.5.3 It shall not be possible for a Wholesaler to update either a Tariff or Tariff Standing Data which has been verified. However, before the Wholesaler Tariff Data has

been authorised, it shall be possible for the Wholesaler to remove the status of verified from a Tariff or the Tariff Standing Data to enable it to be further updated. Following any such further updating, the Wholesaler shall again verify the Tariff or Tariff Standing Data and then mark the Tariff or Tariff Standing Data, as applicable, as verified.

Wholesaler Tariff Data authorisation

2.5.4 On or before the Authorisation Date, each Wholesaler's Contract Manager shall authorise the use of all of the revised Wholesaler Tariff Data which has been marked as verified by the means specified in CSD 0404. In authorising the use of the revised Wholesaler Tariff Data, the Wholesaler's Contract Manager confirms to the Market Operator that:

- (a) every applicable new Tariff for the next Year (or, as applicable, Alternative Tariff Year) has been created;
- (b) every Active Tariff and Legacy Tariff has been updated;
- (c) the Tariff Standing Data has been updated; and
- (d) all the applicable Wholesaler Tariff Data is correct and has been suitably verified.

2.5.5 The Contract Manager shall provide a Tariff Authorisation Code (D7007) with the authorisation which will provide a reference to an audit trail to the verification process and the Contract Manager's authorisation.

2.5.6 For the avoidance of doubt, the authorisation will only authorise Wholesaler Tariff Data which has been verified. Where Wholesaler Tariff Data has been created or updated but not verified, the Market Operator shall continue to calculate charges by using the existing Wholesaler Tariff Data within the Central Systems.

2.5.7 Following the authorisation of Wholesaler Tariff Data, the Wholesaler shall be unable to create, update, verify, or authorise any Tariff or Tariff Standing Data. If the Wholesaler wishes to create, update, verify or authorise any Tariff or Tariff Standing Data, that amendment shall be treated as a Retrospective Amendment. The Wholesaler shall agree a new timetable with the Market Operator in which to create, update, verify and authorise the Wholesaler Tariff Data.

2.5.8 If the Wholesaler fails to authorise the use of the Wholesaler Tariff Data on or before the Authorisation Date, then the authorisation shall be treated as a Retrospective Amendment. The Wholesaler shall agree a revised timetable with the Market Operator in which to create, update, verify and authorise (as necessary) the Wholesaler Tariff Data. Until the revised Wholesaler Tariff Data is authorised, the Market Operator shall continue to use the existing Wholesaler Tariff Data for the purposes of settlement.

2.6 Ad hoc changes to Tariffs

2.6.1 There are a number of circumstances which may require changes to Tariffs and/or the creation of new Tariffs outside the Tariff Timetable detailed in this CSD 0208.

2.6.2 If, subsequent to the authorisation of the Wholesaler Tariff Data by the Wholesaler's Contract Manager, an error is discovered in any of the Wholesaler Tariff Data which has been authorised, then the Wholesaler shall make corrections to the erroneous Wholesaler Tariff Data. The Wholesaler shall agree a timetable with the Market Operator in which to make the corrections. It shall only be permissible, and possible, to make the corrections in accordance with the timetable agreed with the Market Operator. The Wholesaler shall then verify the corrections, following which the Wholesaler's Contract Manager shall authorise the use of the corrected Wholesaler Tariff Data. The Contract Manager shall provide a Tariff Authorisation Code (D7007) with the authorisation. In correcting the Wholesaler Tariff Data, the requirements of CSD 0105 (Error Rectification and Retrospective Amendments) shall also be followed.

2.6.3 If, following the normal annual publication of the Wholesale Tariff Document, a change to the Wholesale Tariff Document is:

- (a) either required or approved by a Relevant Authority; and
- (b) the change to the Wholesale Tariff Document affects the Wholesaler Tariff Data,

then the Wholesaler shall first agree a timetable with the Market Operator and then shall create, update and verify the changes to the Wholesaler Tariff Data in accordance with the timetable. Following the verification of the changes, the Wholesaler's Contract Manager shall authorise the use of the changes. In

amending the Wholesaler Tariff Data, the requirements of CSD 0105 (Error Rectification and Retrospective Amendments) shall also be followed.

- 2.6.4 When a Wholesaler makes a Retrospective Amendment to Wholesaler Tariff Data, it shall not be permissible for the Wholesaler to either (i) delete the set of values for that Tariff with the earliest Tariff Effective From Date or (ii) to add a set of values with an earlier Tariff Effective From Date than the earliest Tariff Effective From Date for that Tariff.
- 2.6.5 Where there is a Volume Data Update in respect of Supply Points which are to be transferred from an Outgoing Wholesaler to an Incoming Wholesaler under CSD 0003 (Volume Transfer and Volume Data Update) there is likely to be a requirement to create new Tariffs for the Incoming Wholesaler which match the existing Tariffs of the Outgoing Wholesaler for the Supply Points which are being transferred. There may also be the requirement to rename Tariffs, and to amend SPID Data to refer to the renamed Tariffs so that there is not a clash of Tariff names between those of the Outgoing Wholesaler and those of Incoming Wholesaler. These matters shall be agreed in writing between the Market Operator, the Outgoing Wholesaler and the Incoming Wholesaler in the Volume Data Update plan.

3. Interface and timetable requirements

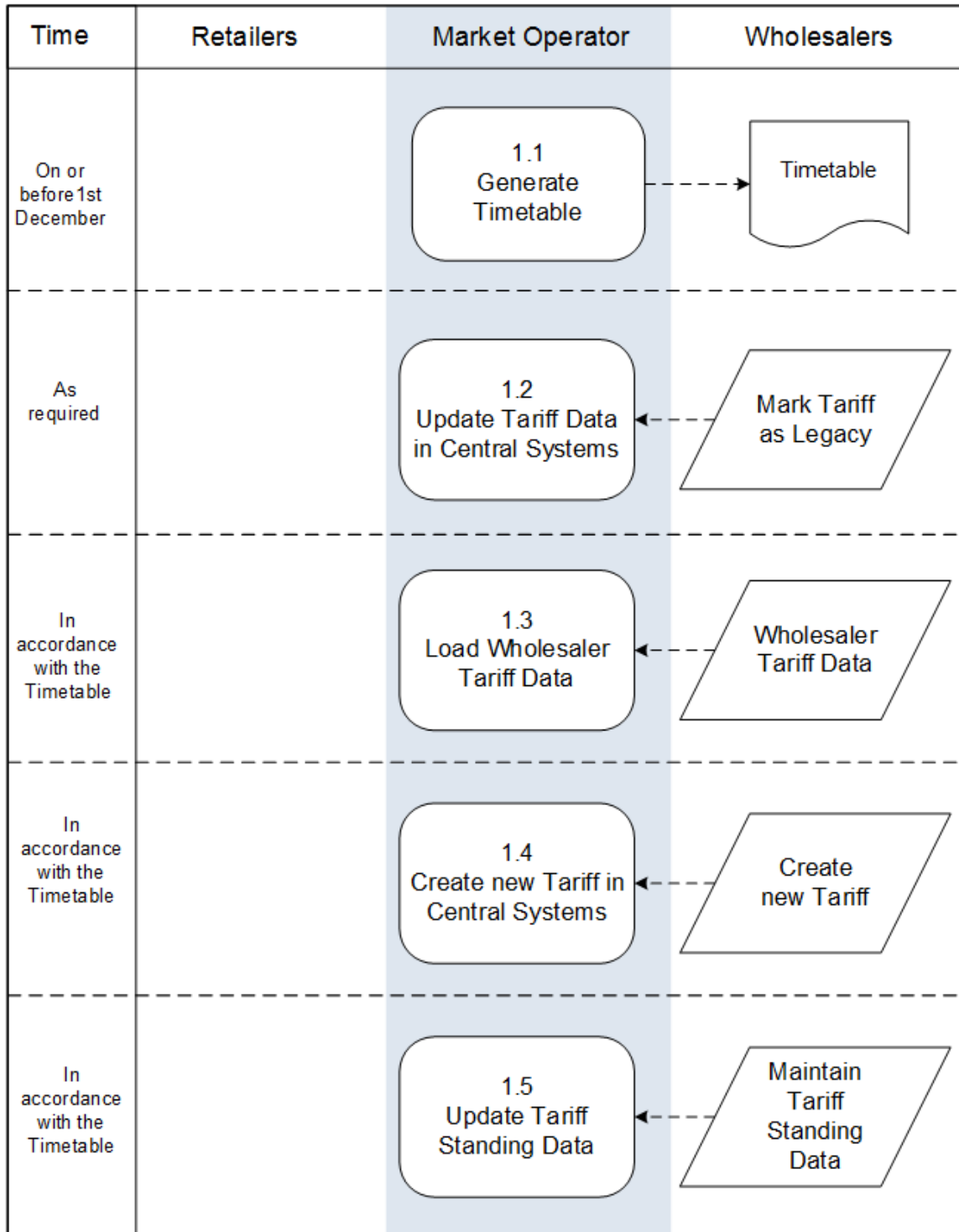
Create, update, verify and authorise Wholesaler Tariff Data

Step Ref	When	Requirement	From	To	Information	Method
1.1	By 1st December each Year	To publish the Tariff Timetable	Market Operator	Retailers and Wholesalers	The Timetable for each Wholesaler to create, update, verify and authorise its Wholesaler Tariff Data.	
1.2	Between Initial Update Date and the Final Update Date	To mark Tariffs as Legacy Tariffs	Wholesaler	Market Operator	That a Tariff is now a Legacy Tariff	CSD 0404
1.3	Between Initial Update Date and the Final Update Date	To update all Active Tariffs and Retiring Tariffs	Wholesaler	Market Operator	Updated Tariffs	CSD 0404
1.4	Between Initial Update Date and the Final Update Date	Create all new Tariffs	Wholesaler	Market Operator	New Tariffs	CSD 0404

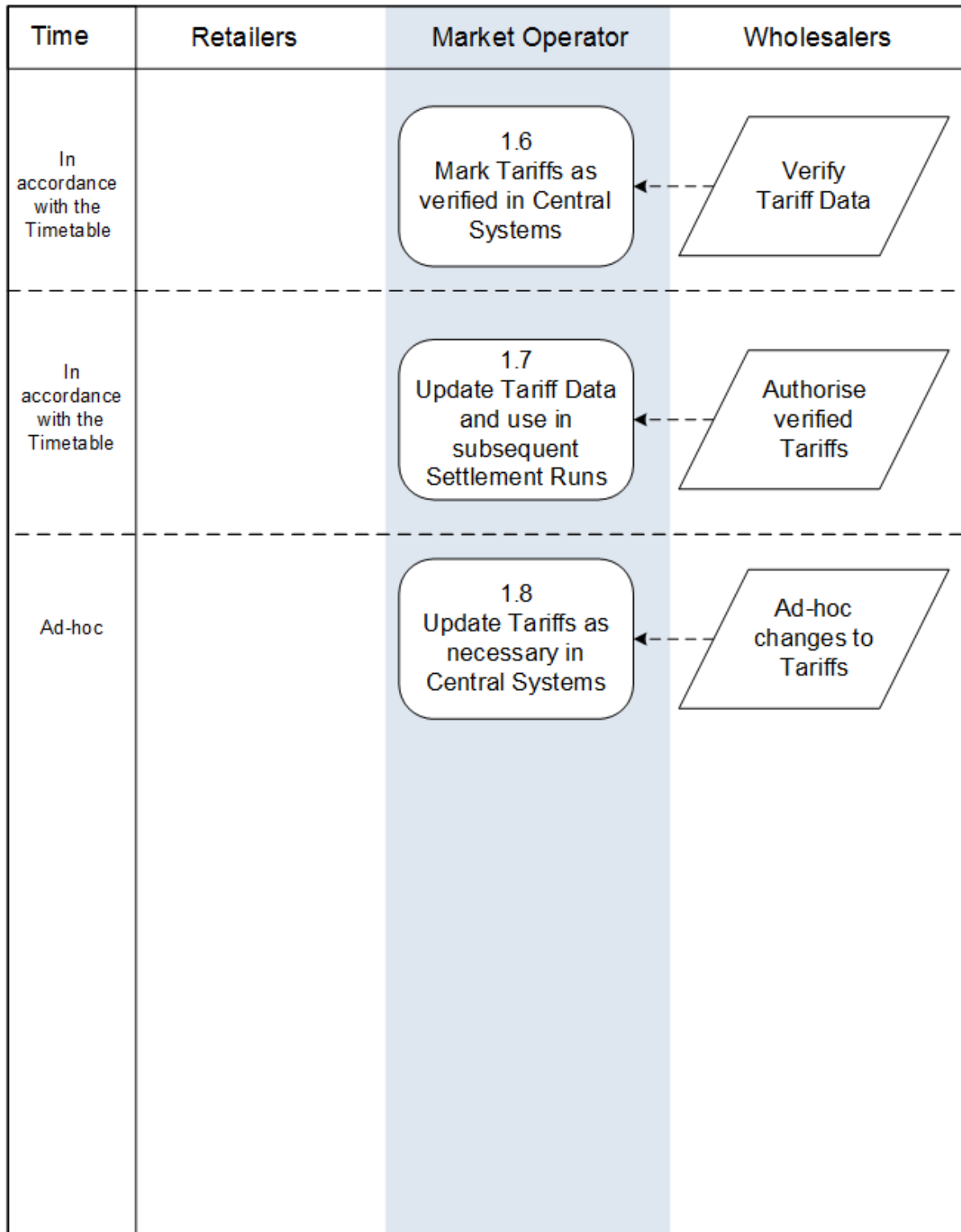
Step Ref	When	Requirement	From	To	Information	Method
1.5	Between Initial Update Date and the Final Update Date	Update Tariff Standing Data	Wholesaler	Market Operator	Update Tariff Standing Data	CSD 0404
1.6	Between Initial Update Date and the Final Update Date	Verify all Active Tariffs, Legacy Tariffs and Tariff Standing Data	Wholesaler			Internal process
1.7	On or before the Authorisation Date	Confirm and authorise all Wholesaler Tariff Data	Wholesaler's Contract Manager	Market Operator	Confirmation that the Wholesaler Tariff Data has been verified	CSD 0404
1.8	Ad hoc	Agree timetable with Market Operator Create, update, verify and authorise Wholesaler Tariff Data as required	Wholesaler	Market Operator	Timetable Wholesaler Tariff Data	Manual process CSD 0404

4. Process diagrams

Creation, update, verification and authorisation of Wholesaler Tariff Data 1/2



Creation, update, validation and authorisation of Wholesaler Tariff Data 2/2



A. Appendix: Illustrative Wholesaler Tariff Data

A.1.1 The diagrams in this Appendix provide illustrative examples of Wholesaler Tariff Data for each of the Service Components, and how each of the Tariff Data Items relates to the Service Components and each of the Charging Elements.

A.1.2 For the avoidance of doubt, it does not represent any specific implementation of how such Data Items might be submitted to the Central Systems in accordance with CSD 0404 (Interface for the provision of non-transactional Data Items from Trading Parties).

A.1.3 There is an illustrative example for every Service Component and the Tariff Standing Data. The illustrative examples provided are as follows:

- (a) Example 1: - Metered Potable Water;
- (b) Example 2: Metered Non-Potable Water;
- (c) Example 3: Assessed Water;
- (d) Example 4: Unmeasured Water;
- (e) Example 5: Metered Sewerage;
- (f) Example 6: Assessed Sewerage;
- (g) Example 7: Unmeasured Sewerage;
- (h) Example 8: Surface Water Drainage;
- (i) Example 9: Highway Drainage;
- (j) Example 10: Trade Effluent;
- (k) Example 11: Charge Adjustments (Water and Sewerage);
- (l) Example 12: Tariff Standing Data.

Illustrative Tariff Data submissions

Example 1 - Metered Potable Water

Code: Orange
 Name: Orange Water Tariff
 Tariff Effective From: 2016-04-01
 Status: Active
 Legacy Effective From:

Example Data

Example Data – multiple sets of data with different Effective From Dates

Tariff Data Effective From: 2017-04-01

Meter Fixed Charges	<input checked="" type="radio"/> not None <input type="radio"/> None	<table border="1"> <thead> <tr> <th>Lower Meter Size</th> <th>Upper Meter Size</th> <th>Charge (£/a)</th> </tr> </thead> <tbody> <tr> <td>0 mm</td> <td>0 mm</td> <td>£0.00</td> </tr> <tr> <td>1 mm</td> <td>15 mm</td> <td>£70.00</td> </tr> <tr> <td>...</td> <td>...</td> <td>...</td> </tr> <tr> <td>250 mm</td> <td>∞</td> <td>£5000.00</td> </tr> </tbody> </table> <p>Tariff Lookup Table</p>	Lower Meter Size	Upper Meter Size	Charge (£/a)	0 mm	0 mm	£0.00	1 mm	15 mm	£70.00	250 mm	∞	£5000.00	D7101 MWMFC
Lower Meter Size	Upper Meter Size	Charge (£/a)																
0 mm	0 mm	£0.00																
1 mm	15 mm	£70.00																
...																
250 mm	∞	£5000.00																
Supply Point Fixed Charges	<input checked="" type="radio"/> not None <input type="radio"/> None	decimal £/a	D7102 MWSPFC															
Metered Volumetric Charges	<input checked="" type="radio"/> not None <input type="radio"/> None	<table border="1"> <thead> <tr> <th>Upper Annual Volume</th> <th>Price (£/m³)</th> </tr> </thead> <tbody> <tr> <td>10,000 m³</td> <td>£1.60</td> </tr> <tr> <td>50,000 m³</td> <td>£1.40</td> </tr> <tr> <td>...</td> <td>...</td> </tr> <tr> <td>∞</td> <td>£1.00</td> </tr> </tbody> </table> <p>Block Tariff Table</p>	Upper Annual Volume	Price (£/m ³)	10,000 m ³	£1.60	50,000 m ³	£1.40	∞	£1.00	D7103 MWBT					
Upper Annual Volume	Price (£/m ³)																	
10,000 m ³	£1.60																	
50,000 m ³	£1.40																	
...	...																	
∞	£1.00																	
Standby Capacity Charges	<input checked="" type="radio"/> not None <input type="radio"/> None	<table border="1"> <thead> <tr> <th>Reservation Volume</th> <th>Price (£/a per m³/day)</th> </tr> </thead> <tbody> <tr> <td>100 m³/day</td> <td>£250</td> </tr> <tr> <td>200 m³/day</td> <td>£210</td> </tr> <tr> <td>...</td> <td>...</td> </tr> <tr> <td>∞</td> <td>£150</td> </tr> </tbody> </table> <p>Standby Capacity Block Table</p>	Reservation Volume	Price (£/a per m ³ /day)	100 m ³ /day	£250	200 m ³ /day	£210	∞	£150	D7104 MWCapChg					
Reservation Volume	Price (£/a per m ³ /day)																	
100 m ³ /day	£250																	
200 m ³ /day	£210																	
...	...																	
∞	£150																	
Standby Usage Charges	<input type="radio"/> not None <input type="radio"/> None	decimal £/m ³ percentage	D7107 MWDPUVC D7106 MWDSUVC D7105 PremTolFactor															
Maximum Demand Charges	<input checked="" type="radio"/> not None <input type="radio"/> None	decimal £/a per m ³ /day	D7108 MWMMDT															

Illustrative Tariff Data submissions

Example 2 - Metered Non-Potable Water

Code: Purple
 Name: Purple Water Tariff
 Tariff Effective From: 2016-04-01
 Status: Legacy
 Legacy Effective From: 2017-04-01

 Tariff Data Effective From: 2018-04-01

Example Data

Example Data – multiple sets of data with different Effective From Dates

Meter Fixed Charges	<input checked="" type="radio"/> not None <input type="radio"/> None	<table border="1"> <thead> <tr> <th>Lower Meter Size</th> <th>Upper Meter Size</th> <th>Charge (£/a)</th> </tr> </thead> <tbody> <tr> <td>0 mm</td> <td>0 mm</td> <td>£0.00</td> </tr> <tr> <td>1 mm</td> <td>15 mm</td> <td>£70.00</td> </tr> <tr> <td>...</td> <td>...</td> <td>...</td> </tr> <tr> <td>250 mm</td> <td>∞</td> <td>£5000.00</td> </tr> </tbody> </table> <p>Tariff Lookup Table</p>	Lower Meter Size	Upper Meter Size	Charge (£/a)	0 mm	0 mm	£0.00	1 mm	15 mm	£70.00	250 mm	∞	£5000.00	D7151 MWMFC
Lower Meter Size	Upper Meter Size	Charge (£/a)																
0 mm	0 mm	£0.00																
1 mm	15 mm	£70.00																
...																
250 mm	∞	£5000.00																
Supply Point Fixed Charges	<input checked="" type="radio"/> not None <input type="radio"/> None	decimal £/a	D7152 MWSPFC															
Metered Volumetric Charges	<input checked="" type="radio"/> not None <input type="radio"/> None	<table border="1"> <thead> <tr> <th>Upper Annual Volume</th> <th>Price (£/m³)</th> </tr> </thead> <tbody> <tr> <td>10,000 m³</td> <td>£1.60</td> </tr> <tr> <td>50,000 m³</td> <td>£1.40</td> </tr> <tr> <td>...</td> <td>...</td> </tr> <tr> <td>∞</td> <td>£1.00</td> </tr> </tbody> </table> <p>Block Tariff Table</p>	Upper Annual Volume	Price (£/m ³)	10,000 m ³	£1.60	50,000 m ³	£1.40	∞	£1.00	D7153 MWBT					
Upper Annual Volume	Price (£/m ³)																	
10,000 m ³	£1.60																	
50,000 m ³	£1.40																	
...	...																	
∞	£1.00																	
Standby Capacity Charges	<input checked="" type="radio"/> not None <input type="radio"/> None	<table border="1"> <thead> <tr> <th>Reservation Volume</th> <th>Price (£/a per m³/day)</th> </tr> </thead> <tbody> <tr> <td>100 m³/day</td> <td>£250</td> </tr> <tr> <td>200 m³/day</td> <td>£210</td> </tr> <tr> <td>...</td> <td>...</td> </tr> <tr> <td>∞</td> <td>£150</td> </tr> </tbody> </table> <p>Standby Capacity Block Table</p>	Reservation Volume	Price (£/a per m ³ /day)	100 m ³ /day	£250	200 m ³ /day	£210	∞	£150	D7154 MWCapChg					
Reservation Volume	Price (£/a per m ³ /day)																	
100 m ³ /day	£250																	
200 m ³ /day	£210																	
...	...																	
∞	£150																	
Standby Usage Charges	<input checked="" type="radio"/> not None <input type="radio"/> None	decimal £/m ³ percentage	D7157 MWDPUVC D7156 MWDSUVC D7155 PremTolFactor															
Maximum Demand Charges	<input checked="" type="radio"/> not None <input type="radio"/> None	decimal £/a per m ³ /day	D7158 MWMMDT															

Illustrative Tariff Data submissions

Example 3 - Assessed Water

Code: Pink
 Name: Pink Assessed Water Tariff
 Tariff Effective From: 2016-04-01
 Status: Active
 Legacy Effective From: 2017-04-01
 Tariff Data Effective From

Example Data

Example Data – multiple sets of data with different Effective From Dates

Assessed Fixed Charges	<input checked="" type="radio"/> not None <input type="radio"/> None	→	decimal £/a	D7201 AWFixedCharge															
Assessed Meter Fixed Charges	<input checked="" type="radio"/> not None <input type="radio"/> None	→	<table border="1"> <thead> <tr> <th>Lower Meter Size</th> <th>Upper Meter Size</th> <th>Charge (£/a)</th> </tr> </thead> <tbody> <tr> <td>0 mm</td> <td>0 mm</td> <td>£0.00</td> </tr> <tr> <td>1 mm</td> <td>15 mm</td> <td>£70.00</td> </tr> <tr> <td>...</td> <td>...</td> <td>...</td> </tr> <tr> <td>250 mm</td> <td>∞</td> <td>£5000.00</td> </tr> </tbody> </table> <p>Tariff Lookup Table</p>	Lower Meter Size	Upper Meter Size	Charge (£/a)	0 mm	0 mm	£0.00	1 mm	15 mm	£70.00	250 mm	∞	£5000.00	D7202 AWMFC
Lower Meter Size	Upper Meter Size	Charge (£/a)																	
0 mm	0 mm	£0.00																	
1 mm	15 mm	£70.00																	
...																	
250 mm	∞	£5000.00																	
Assessed Volumetric Charges	<input checked="" type="radio"/> not None <input type="radio"/> None	→	decimal £/m ³	D7203 AWVCharge															
Assessed Band Charge	<input checked="" type="radio"/> not None <input type="radio"/> None	→	<table border="1"> <thead> <tr> <th>Band</th> <th>Charge (£/a)</th> </tr> </thead> <tbody> <tr> <td>1</td> <td>£70</td> </tr> <tr> <td>2</td> <td>£110</td> </tr> <tr> <td>...</td> <td>...</td> </tr> <tr> <td>n</td> <td>£1240</td> </tr> </tbody> </table> <p>Tariff Band Table</p>	Band	Charge (£/a)	1	£70	2	£110	n	£1240	D7204 AWBandCharge					
Band	Charge (£/a)																		
1	£70																		
2	£110																		
...	...																		
n	£1240																		

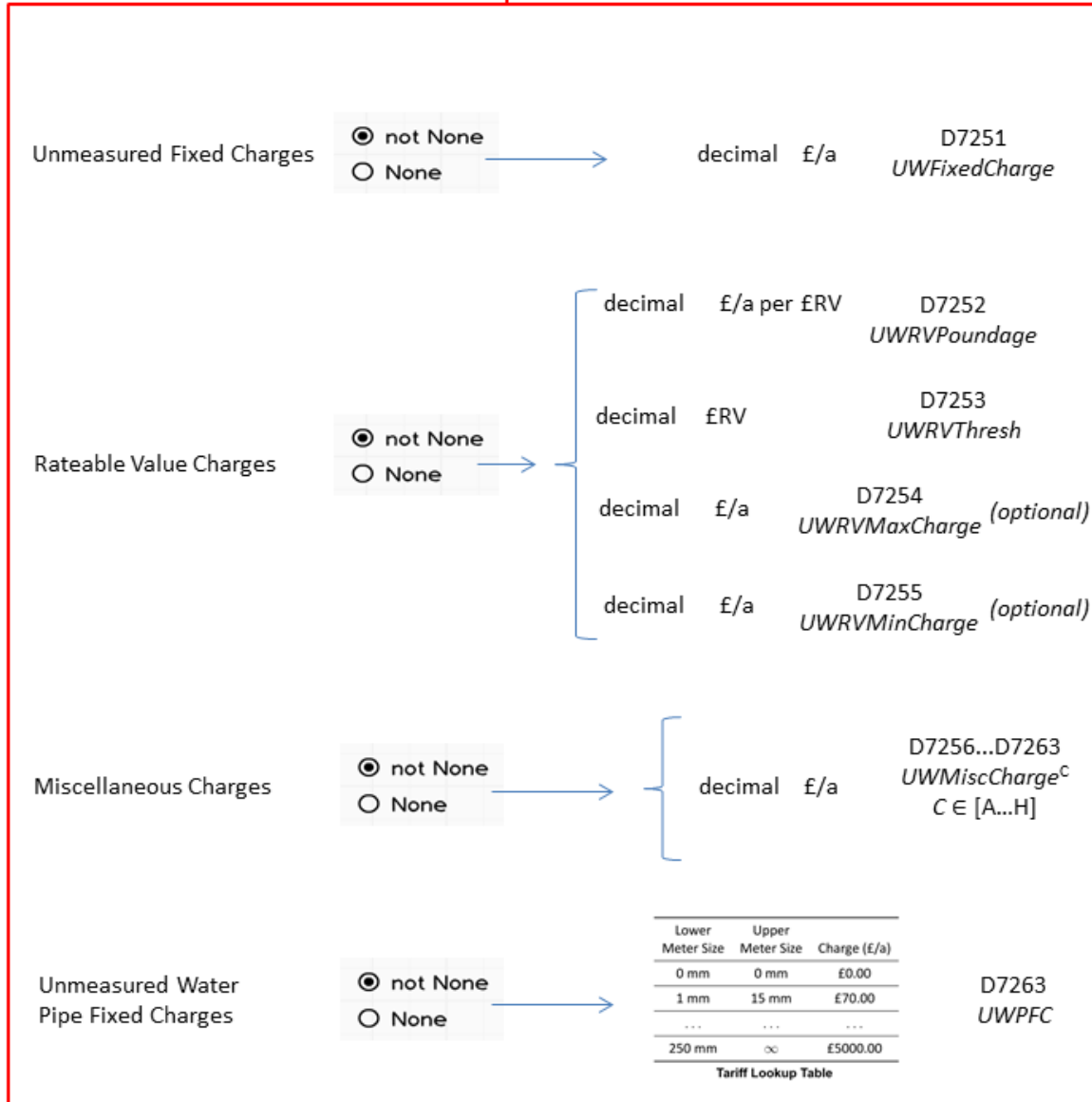
Illustrative Tariff Data submissions

Example 4 - Unmeasured Water

Code: Green
 Name: Green Unmeasured Water Tariff
 Tariff Effective From: 2016-04-01
 Status: Active
 Legacy Effective From: 2017-04-01
 Tariff Data Effective From: 2017-04-01

Example Data

Example Data – multiple sets of data with different Effective From Dates



Illustrative Tariff Data submissions

Example 5 - Metered Sewerage

Code: Orange
 Name: Orange Sewerage Tariff
 Tariff Effective From: 2016-04-01
 Status: Active
 Legacy Effective From:

Example Data

Example Data – multiple sets of data with different Effective From Dates

Tariff Data Effective From: 2017-04-01

Meter Fixed Charges	<input checked="" type="radio"/> not None <input type="radio"/> None	<table border="1"> <thead> <tr> <th>Lower Meter Size</th> <th>Upper Meter Size</th> <th>Charge (£/a)</th> </tr> </thead> <tbody> <tr> <td>0 mm</td> <td>0 mm</td> <td>£0.00</td> </tr> <tr> <td>1 mm</td> <td>15 mm</td> <td>£70.00</td> </tr> <tr> <td>...</td> <td>...</td> <td>...</td> </tr> <tr> <td>250 mm</td> <td>∞</td> <td>£5000.00</td> </tr> </tbody> </table> <p style="text-align: center;">Tariff Lookup Table</p>	Lower Meter Size	Upper Meter Size	Charge (£/a)	0 mm	0 mm	£0.00	1 mm	15 mm	£70.00	250 mm	∞	£5000.00	D7301 MSMFC
Lower Meter Size	Upper Meter Size	Charge (£/a)																
0 mm	0 mm	£0.00																
1 mm	15 mm	£70.00																
...																
250 mm	∞	£5000.00																
Supply Point Fixed Charges	<input checked="" type="radio"/> not None <input type="radio"/> None	decimal £/a	D7302 MSSPFC															
Metered Volumetric Charges	<input checked="" type="radio"/> not None <input type="radio"/> None	<table border="1"> <thead> <tr> <th>Upper Annual Volume</th> <th>Price (£/m³)</th> </tr> </thead> <tbody> <tr> <td>10,000 m³</td> <td>£1.60</td> </tr> <tr> <td>50,000 m³</td> <td>£1.40</td> </tr> <tr> <td>...</td> <td>...</td> </tr> <tr> <td>∞</td> <td>£1.00</td> </tr> </tbody> </table> <p style="text-align: center;">Block Tariff Table</p>	Upper Annual Volume	Price (£/m ³)	10,000 m ³	£1.60	50,000 m ³	£1.40	∞	£1.00	D7303 MSBT					
Upper Annual Volume	Price (£/m ³)																	
10,000 m ³	£1.60																	
50,000 m ³	£1.40																	
...	...																	
∞	£1.00																	

Illustrative Tariff Data submissions

Example 6 - Assessed Sewerage

Code: Pink
 Name: Pink Assessed Sewerage Tariff
 Tariff Effective From: 2016-04-01
 Status: Active
 Legacy Effective From:
 Tariff Data Effective From: 2017-04-01

Example Data

Example Data – multiple sets of data with different Effective From Dates

Assessed Fixed Charges	<input checked="" type="radio"/> not None <input type="radio"/> None	decimal £/a	D7351 ASFixedCharge															
Assessed Meter Fixed Charges	<input checked="" type="radio"/> not None <input type="radio"/> None	<table border="1"> <thead> <tr> <th>Lower Meter Size</th> <th>Upper Meter Size</th> <th>Charge (£/a)</th> </tr> </thead> <tbody> <tr> <td>0 mm</td> <td>0 mm</td> <td>£0.00</td> </tr> <tr> <td>1 mm</td> <td>15 mm</td> <td>£70.00</td> </tr> <tr> <td>...</td> <td>...</td> <td>...</td> </tr> <tr> <td>250 mm</td> <td>∞</td> <td>£5000.00</td> </tr> </tbody> </table> <p>Tariff Lookup Table</p>	Lower Meter Size	Upper Meter Size	Charge (£/a)	0 mm	0 mm	£0.00	1 mm	15 mm	£70.00	250 mm	∞	£5000.00	D7352 ASMFC
Lower Meter Size	Upper Meter Size	Charge (£/a)																
0 mm	0 mm	£0.00																
1 mm	15 mm	£70.00																
...																
250 mm	∞	£5000.00																
Assessed Volumetric Charges	<input checked="" type="radio"/> not None <input type="radio"/> None	decimal £/m ³	D7353 ASVCharge															
Assessed Band Charge	<input checked="" type="radio"/> not None <input type="radio"/> None	<table border="1"> <thead> <tr> <th>Band</th> <th>Charge (£/a)</th> </tr> </thead> <tbody> <tr> <td>1</td> <td>£70</td> </tr> <tr> <td>2</td> <td>£110</td> </tr> <tr> <td>...</td> <td>...</td> </tr> <tr> <td>n</td> <td>£1240</td> </tr> </tbody> </table> <p>Tariff Band Table</p>	Band	Charge (£/a)	1	£70	2	£110	n	£1240	D7354 ASBandCharge					
Band	Charge (£/a)																	
1	£70																	
2	£110																	
...	...																	
n	£1240																	

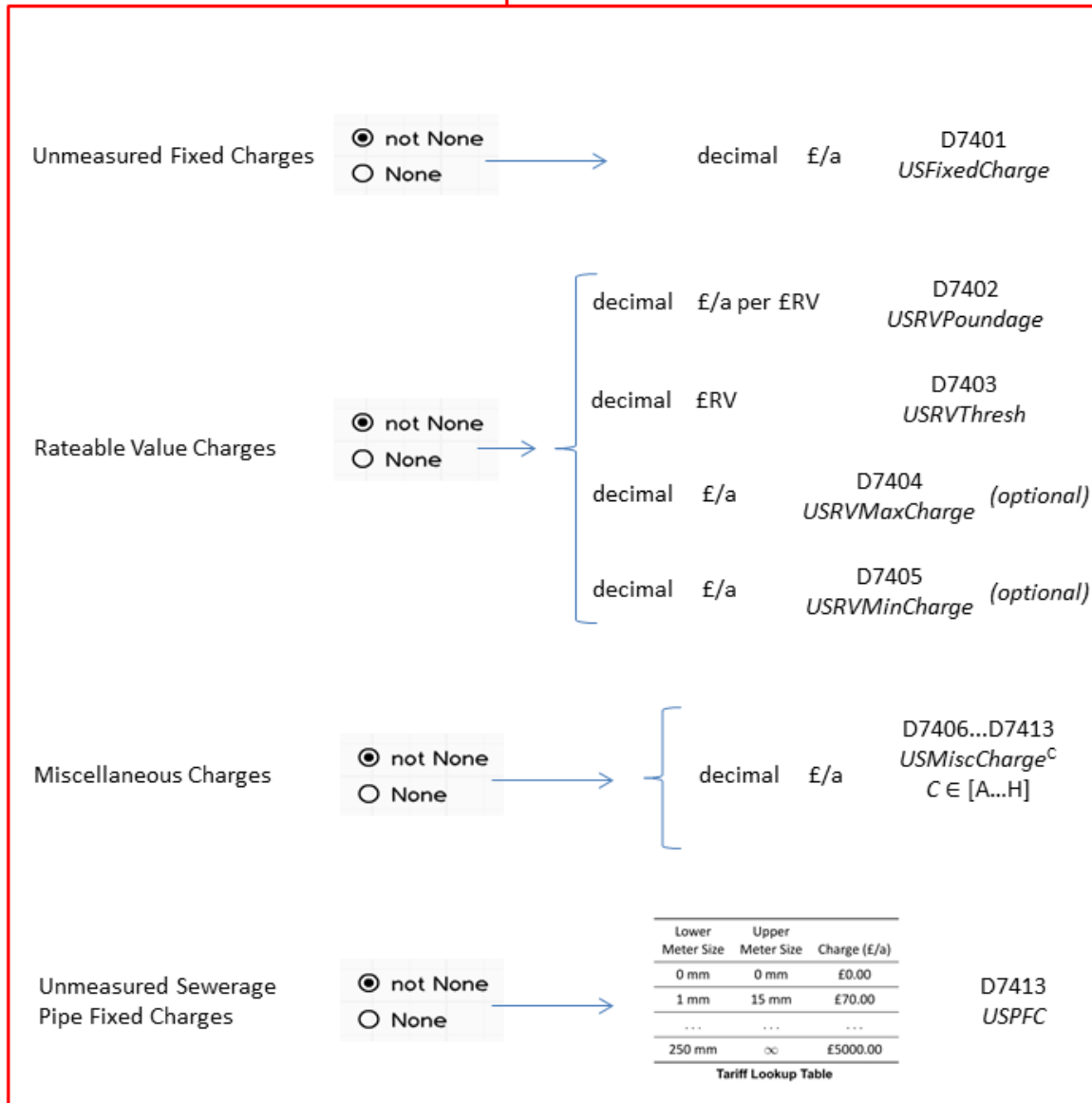
Illustrative Tariff Data submissions

Example 7 - Unmeasured Sewerage

Code: Green
 Name: Green Unmeasured Sewerage Tariff
 Tariff Effective From: 2016-04-01
 Status: Active
 Legacy Effective From:
 Tariff Data Effective From: 2017-04-01

Example Data

Example Data – multiple sets of data with different Effective From Dates



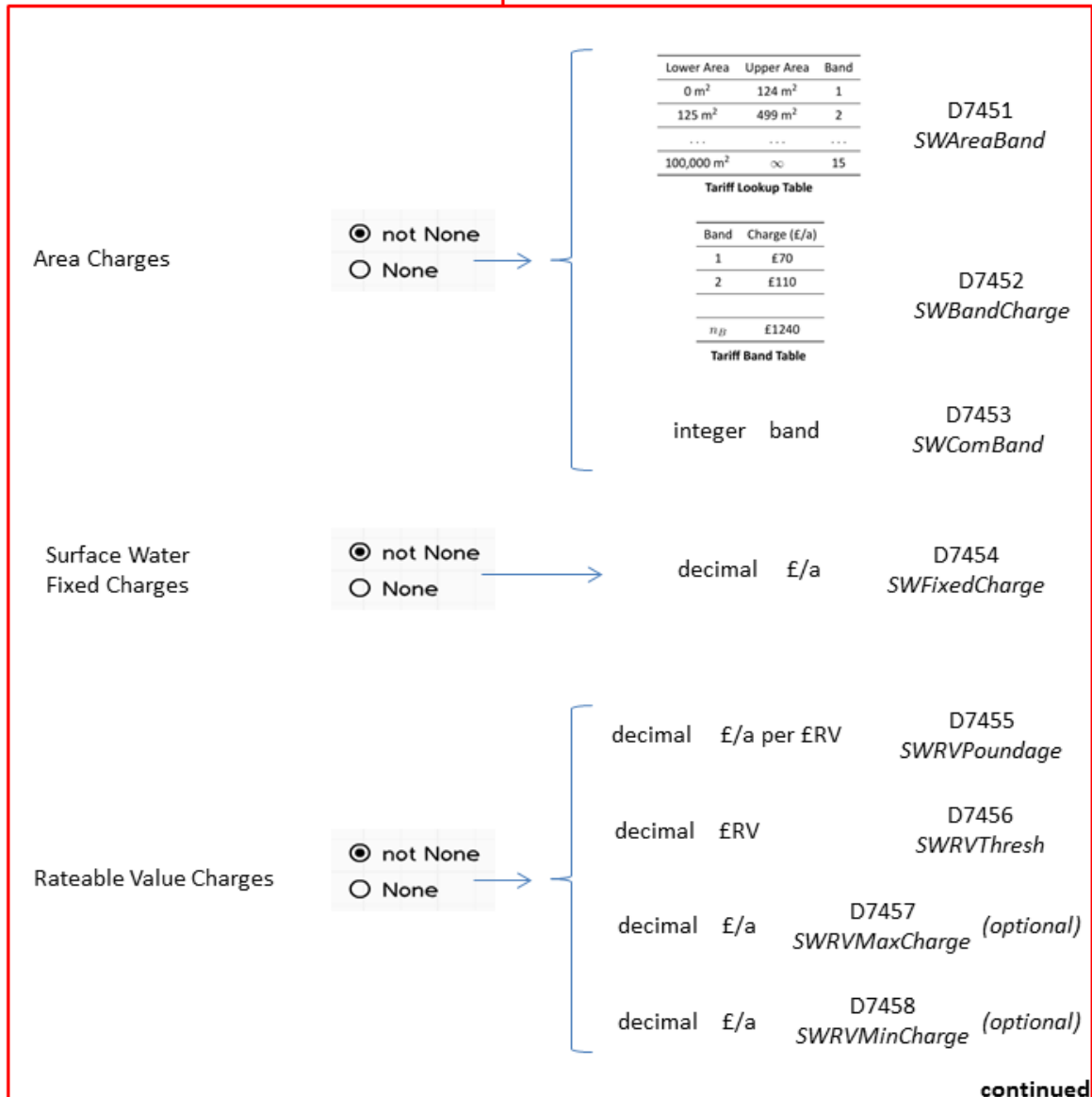
Illustrative Tariff Data submissions

Example 8 - Surface Water Drainage

Code: Green
 Name: Green Surface Water Drainage Tariff
 Tariff Effective From: 2016-04-01
 Status: Active
 Legacy Effective From:
 Tariff Data Effective From: 2017-04-01

Example Data

Example Data – multiple sets of data with different Effective From Dates



Illustrative Tariff Data submissions
Example 8 (continued) Surface Water Drainage

<p>Surface Water Meter Fixed Charges</p>	<p><input checked="" type="radio"/> not None <input type="radio"/> None</p>	<p>→</p>	<table border="1" style="width: 100%; border-collapse: collapse; text-align: center;"> <thead> <tr> <th style="text-align: left;">Lower Meter Size</th> <th style="text-align: left;">Upper Meter Size</th> <th style="text-align: left;">Charge (£/a)</th> </tr> </thead> <tbody> <tr> <td>0 mm</td> <td>0 mm</td> <td>£0.00</td> </tr> <tr> <td>1 mm</td> <td>15 mm</td> <td>£70.00</td> </tr> <tr> <td>...</td> <td>...</td> <td>...</td> </tr> <tr> <td>250 mm</td> <td>∞</td> <td>£5000.00</td> </tr> </tbody> </table> <p style="text-align: center; font-size: small;">Tariff Lookup Table</p>	Lower Meter Size	Upper Meter Size	Charge (£/a)	0 mm	0 mm	£0.00	1 mm	15 mm	£70.00	250 mm	∞	£5000.00	<p>D7459 SWMFC</p>
Lower Meter Size	Upper Meter Size	Charge (£/a)																	
0 mm	0 mm	£0.00																	
1 mm	15 mm	£70.00																	
...																	
250 mm	∞	£5000.00																	
<p>Surface Water: Foul Sewerage Volumetric Charges</p>	<p><input checked="" type="radio"/> not None <input type="radio"/> None</p>	<p>→</p>	<table border="1" style="width: 100%; border-collapse: collapse; text-align: center;"> <thead> <tr> <th style="text-align: left;">Upper Annual Volume</th> <th style="text-align: left;">Price (£/m³)</th> </tr> </thead> <tbody> <tr> <td>10,000 m³</td> <td>£1.60</td> </tr> <tr> <td>50,000 m³</td> <td>£1.40</td> </tr> <tr> <td>...</td> <td>...</td> </tr> <tr> <td>∞</td> <td>£1.00</td> </tr> </tbody> </table> <p style="text-align: center; font-size: small;">Block Tariff Table</p>	Upper Annual Volume	Price (£/m ³)	10,000 m ³	£1.60	50,000 m ³	£1.40	∞	£1.00	<p>D7460 SWBT</p>					
Upper Annual Volume	Price (£/m ³)																		
10,000 m ³	£1.60																		
50,000 m ³	£1.40																		
...	...																		
∞	£1.00																		

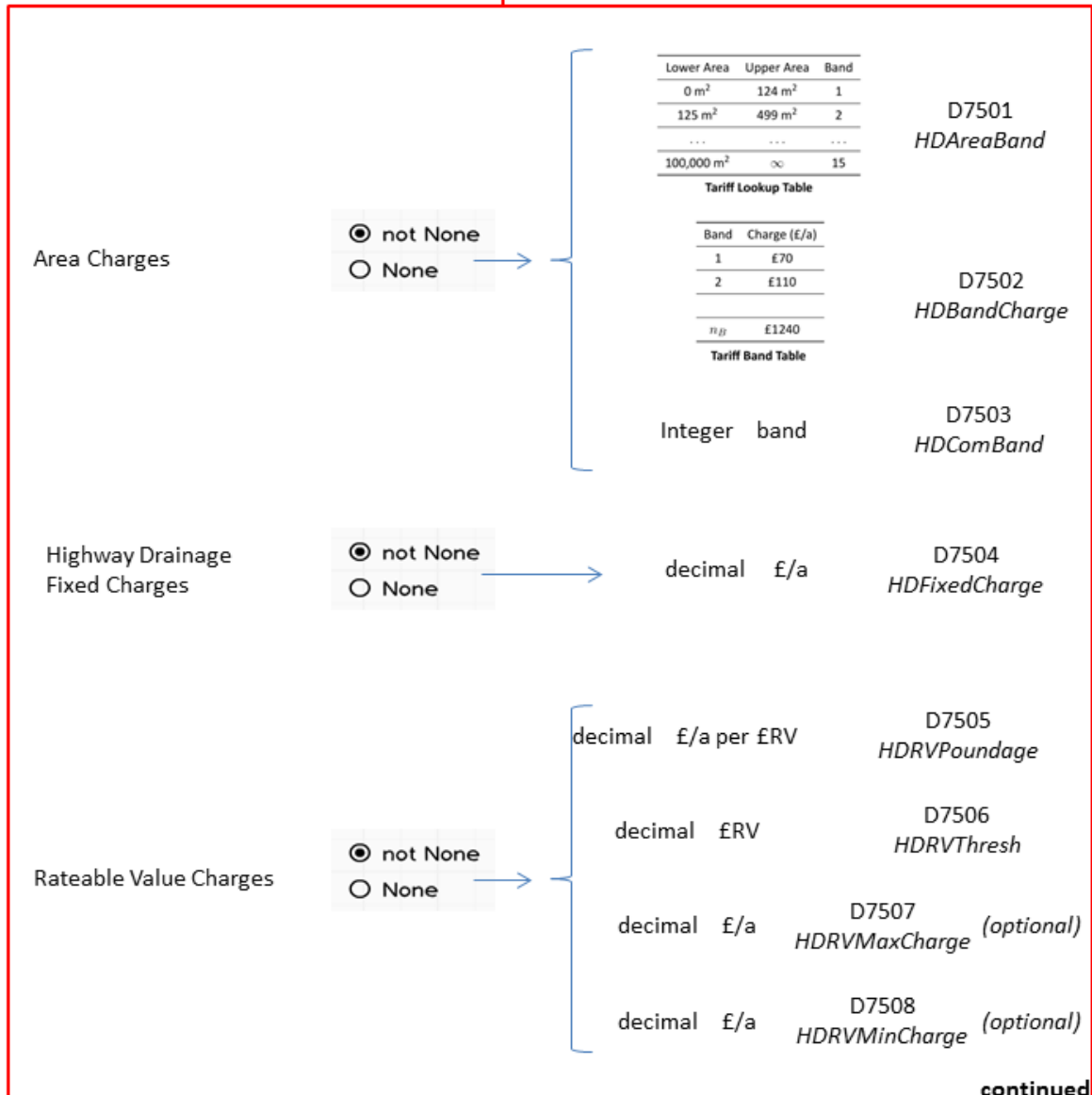
Illustrative Tariff Data submissions

Example 9 - Highway Drainage

Code: Green
 Name: Green Road Tariff
 Tariff Effective From: 2016-04-01
 Status: Active
 Legacy Effective From:
 Tariff Data Effective From: 2017-04-01

Example Data

Example Data – multiple sets of data with different Effective From Dates



Illustrative Tariff Data submissions
Example 9 (continued) - Highway Drainage

Highway Drainage Meter Fixed Charges	<input checked="" type="radio"/> not None <input type="radio"/> None	→	<table border="1" style="width: 100%; border-collapse: collapse; text-align: center;"> <thead> <tr> <th style="text-align: left;">Lower Meter Size</th> <th style="text-align: left;">Upper Meter Size</th> <th style="text-align: left;">Charge (£/a)</th> </tr> </thead> <tbody> <tr> <td>0 mm</td> <td>0 mm</td> <td>£0.00</td> </tr> <tr> <td>1 mm</td> <td>15 mm</td> <td>£70.00</td> </tr> <tr> <td>...</td> <td>...</td> <td>...</td> </tr> <tr> <td>250 mm</td> <td>∞</td> <td>£5000.00</td> </tr> </tbody> </table> <p style="text-align: center; margin-top: 5px;">Tariff Lookup Table</p>	Lower Meter Size	Upper Meter Size	Charge (£/a)	0 mm	0 mm	£0.00	1 mm	15 mm	£70.00	250 mm	∞	£5000.00	D7509 <i>HDMFC</i>
Lower Meter Size	Upper Meter Size	Charge (£/a)																	
0 mm	0 mm	£0.00																	
1 mm	15 mm	£70.00																	
...																	
250 mm	∞	£5000.00																	
Highway Drainage: Foul Sewerage Volumetric Charges	<input checked="" type="radio"/> not None <input type="radio"/> None	→	<table border="1" style="width: 100%; border-collapse: collapse; text-align: center;"> <thead> <tr> <th style="text-align: left;">Upper Annual Volume</th> <th style="text-align: left;">Price (£/m³)</th> </tr> </thead> <tbody> <tr> <td>10,000 m³</td> <td>£1.60</td> </tr> <tr> <td>50,000 m³</td> <td>£1.40</td> </tr> <tr> <td>...</td> <td>...</td> </tr> <tr> <td>∞</td> <td>£1.00</td> </tr> </tbody> </table> <p style="text-align: center; margin-top: 5px;">Block Tariff Table</p>	Upper Annual Volume	Price (£/m ³)	10,000 m ³	£1.60	50,000 m ³	£1.40	∞	£1.00	D7510 <i>HDBT</i>					
Upper Annual Volume	Price (£/m ³)																		
10,000 m ³	£1.60																		
50,000 m ³	£1.40																		
...	...																		
∞	£1.00																		

Illustrative Tariff Data submissions

Example 10 - Trade Effluent Tariff

Code: Red
 Name: Red Effluent Tariff
 Tariff Effective From: 2016-04-01
 Status: Active
 Legacy Effective From:
 Tariff Data
 Effective From: 2017-04-01

← Example Data

← Example Data – multiple sets of data with different Effective From Dates

Assessed Band Charge	<input checked="" type="radio"/> not None <input type="radio"/> None	<table border="1"> <thead> <tr> <th>Band</th> <th>Charge (£/a)</th> </tr> </thead> <tbody> <tr> <td>1</td> <td>£70</td> </tr> <tr> <td>2</td> <td>£110</td> </tr> <tr> <td>...</td> <td>...</td> </tr> <tr> <td>n</td> <td>£1240</td> </tr> </tbody> </table> <p>Tariff Band Table</p>	Band	Charge (£/a)	1	£70	2	£110	n	£1240	D7551 TEBandCharge
Band	Charge (£/a)												
1	£70												
2	£110												
...	...												
n	£1240												
Trade Effluent Fixed Charges	<input checked="" type="radio"/> not None <input type="radio"/> None	decimal £/a	D7571 TEFixedCharge										
Availability Charges	<input checked="" type="radio"/> not None <input type="radio"/> None	decimal £/m ³ per day decimal £/m ³ per day decimal £/m ³ per day decimal £/m ³ per day decimal £/kg per day decimal £/kg per day decimal £/kg per day decimal £/kg per day decimal £/kg per day decimal £/ kg per day	D7552 Ra D7553 Va D7554 Bva D7555 Ma D7556 Ba D7557 Sa D7558 Aa D7572 Xa D7573 Ya D7574 Za										

continued

Illustrative Tariff Data submissions
Example 10 (continued) - Trade Effluent

Upper Annual Volume	Price (£/m ³)		
10,000 m ³	£1.60		
50,000 m ³	£1.40		
...	...		
∞	£1.00		

Block Tariff Table

decimal	£/m ³	D7559	<i>from which</i>
		<i>RoBT</i>	<i>Ro derived</i>
		D7560	
		<i>Vo</i>	
		D7561	
		<i>Bvo</i>	
		D7562	
		<i>Mo</i>	

Upper Annual Volume	Price (£/m ³)		
10,000 m ³	£1.60		
50,000 m ³	£1.40		
...	...		
∞	£1.00		

Block Tariff Table

		D7563	<i>from which</i>
		<i>BoBT</i>	<i>Bo derived</i>
		D7564	
		<i>So</i>	
		D7565	
		<i>Ao</i>	
		D7575	
		<i>Xo</i>	
		D7576	
		<i>Yo</i>	
		D7577	
		<i>Zo</i>	

Operational Charges not None None →

Operational Charge Parameters continued on next page

continued

Illustrative Tariff Data submissions
Example 10 (continued) - Trade Effluent

*Operational Charge
Parameters continued
from previous page*

Operational Charges	<input checked="" type="radio"/> not None <input type="radio"/> None	decimal mg/l D7566 <i>Os</i> decimal mg/l D7567 <i>Ss</i> decimal mg/l D7568 <i>As</i> decimal mg/l D7578 <i>Xs</i> decimal mg/l D7579 <i>Ys</i> decimal mg/l D7580 <i>Zs</i> decimal mg/l D7569 <i>Am</i> decimal mg/l D7581 <i>Xm</i> decimal mg/l D7582 <i>Ym</i> decimal mg/l D7583 <i>Zm</i>
TE Minimum Charge	<input checked="" type="radio"/> not None <input type="radio"/> None	decimal £/a D7570 <i>TEMinCharge</i>

Illustrative Tariff Data submissions

Example 11 - Charge Adjustments (Water and Sewerage)

Code: Sec154A
Name: Section 154A Adjustment
Contribution
Tariff Effective From: 2016-04-01
Status: Active
Legacy Effective From:
Tariff Data
Effective From: 2017-04-01

← Example Data

← Example Data – multiple sets of data with different Effective From Dates

Section 154A

not None
 None

→ decimal £/ a

D7601
Sec154AValue

Note, this is the total refund due per dwelling unit for the premises should be expressed as a positive value

For the avoidance of doubt, the Water Charge Adjustments and the Sewerage Charge Adjustments share the same Tariff variables.

Illustrative Tariff Data submissions
Example 12 – Tariff Standing Data

Effective From 2017-04-01

← *Tariff Standing Data (like individual Tariffs) may be updated with effect from the start of a Month*

All Data Items are compulsory

<u>Item</u>	<u>Type</u>	<u>Possible Values</u>	<u>Number</u>
Water Wholesaler Data Items			
Vacancy Charging Method Water	string	VWA VWB VWC	D7052
Temporary Disconnection Charging Method Water	string	TWA TWB TWC	D7054
Sewerage Wholesaler Data Items			
Default Return to Sewer	percentage	0% -100%	D7051
Vacancy Charging Method Sewerage	string	VSA VSB VSC VSD VSE	D7053
Temporary Disconnection Charging Method Sewerage	string	TSA TSB TSC TSD TSE	D7055